

# TERATORK



ACTUATORS ENGINEERED FOR QUARTER TURN APPLICATIONS



# MICROFINISH

Pumps • Valves • Automation



## Design Features

### Robust construction for reliability

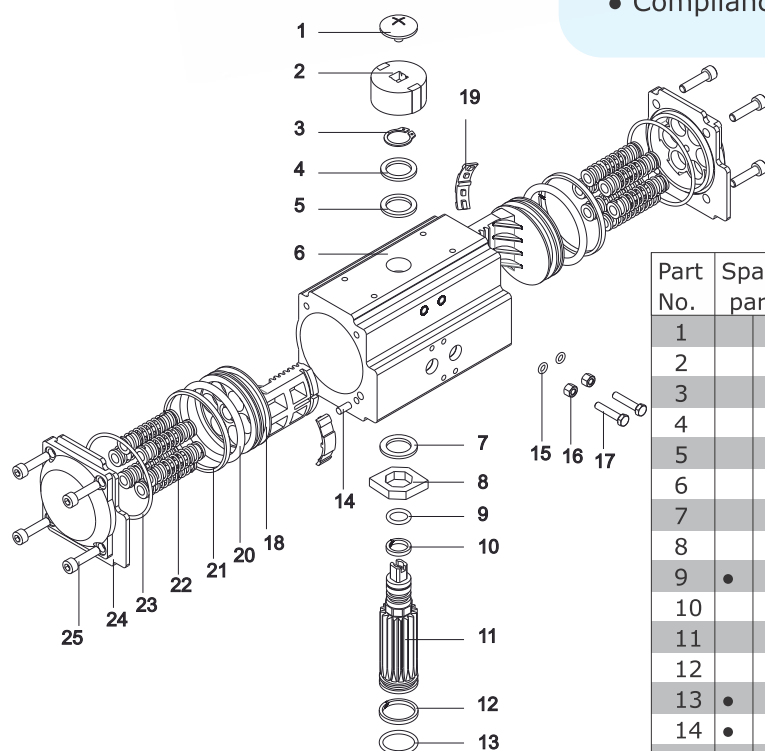
- Innovative rugged dual piston and pinion design
- High cycle life and fast operation
- Anti blow-out drive shaft
- Extruded hard anodized aluminium body
- Die cast aluminum alloy powder coated covers
- SS fasteners for long protection from corrosion

### Precision for high performance

- Low friction due to multiple bearings and guides on rack and piston
- Modular pre-loaded corrosion resistant coated spring cartridge design
- Fully machined teeth for accurate positioning, low backlash and higher efficiency
- Easy conversion from double acting to spring return
- Two external travel stops for  $\pm 5$  degree adjustment

### Wide application range

- Air supply pressure 2 to 8 bar
- Operating temperature from  $-20^{\circ}\text{C}$  to  $+80^{\circ}\text{C}$
- Low temperature version to  $-40^{\circ}\text{C}$
- High temperature version to  $+150^{\circ}\text{C}$
- Compliance to ISO 5211 and NAMUR specifications



| Part No. | Spare part | Part description    | Material                | Qty. |
|----------|------------|---------------------|-------------------------|------|
| 1        |            | Indicator screw     | ABS                     | 1    |
| 2        |            | Indicator           | ABS                     | 1    |
| 3        |            | Snap ring           | SS                      | 1    |
| 4        |            | Washer              | SS                      | 1    |
| 5        | □          | Outside washer      | ABS                     | 1    |
| 6        |            | Body                | Al. alloy-hard anodized | 1    |
| 7        | □          | Inside washer       | ABS                     | 1    |
| 8        |            | Cam                 | 1040+ENP                | 1    |
| 9        | ● □        | O-ring-top          | NBR                     | 1    |
| 10       | □          | Bearing-top         | ABS                     | 1    |
| 11       |            | Pinion              | 1040+ENP                | 1    |
| 12       | □          | Bearing-bottom      | ABS                     | 1    |
| 13       | ● □        | O-ring-bottom       | NBR                     | 1    |
| 14       | ● □        | Plug                | NBR                     | 1    |
| 15       | ● □        | O-ring-adjust screw | NBR                     | 2    |
| 16       |            | Nut                 | SS                      | 2    |
| 17       |            | Adjustable screw    | SS                      | 2    |
| 18       |            | Piston die cast     | Al. alloy-hard anodized | 2    |
| 19       |            | Guide-piston        | ABS                     | 2    |
| 20       | ● □        | O-ring-piston       | NBR                     | 2    |
| 21       | □          | Bearing-piston      | ABS                     | 2    |
| 22       |            | Springs             | Spring steel            | **   |
| 23       | ● □        | O-ring end cap      | NBR                     | 2    |
| 24       |            | End cap die cast    | Al. alloy-powder coated | 2    |
| 25       |            | Screw-end cap       | SS                      | 8    |

● O-ring spare kit parts □ Spare kit parts

\*\* Refer name plate for quantity

ABS - Acrylonitrile Butadiene Styrene

NBR - Nitrile Butadiene Rubber, Al.-Aluminium



## Actuator Output Torque (Nm)

### Double acting actuator

| Model   | Air pressure (bar) |         |         |         |         |         |          |          |
|---------|--------------------|---------|---------|---------|---------|---------|----------|----------|
|         | 2                  | 3       | 4       | 5       | 5.5     | 6       | 7        | 8        |
| DA-T32  | 3.1                | 4.6     | 6.1     | 7.6     | 8.4     | 9.2     | 10.7     | 12.2     |
| DA-T45  | 6.0                | 9.1     | 12.1    | 15.1    | 16.6    | 18.1    | 21.1     | 24.2     |
| DA-T52  | 8.1                | 12.1    | 16.1    | 20.2    | 22.2    | 24.2    | 28.2     | 32.3     |
| DA-T63  | 14.2               | 21.3    | 28.4    | 35.5    | 39.1    | 42.6    | 49.7     | 56.8     |
| DA-T75  | 20.1               | 30.2    | 40.3    | 50.3    | 55.4    | 60.4    | 70.5     | 80.5     |
| DA-T83  | 30.8               | 46.2    | 61.6    | 77.1    | 84.8    | 92.5    | 107.9    | 123.3    |
| DA-T92  | 45.4               | 68.2    | 90.9    | 113.6   | 125.0   | 136.3   | 159.1    | 181.8    |
| DA-T105 | 65.8               | 98.7    | 131.6   | 164.4   | 180.9   | 197.3   | 230.2    | 263.1    |
| DA-T125 | 103.0              | 154.0   | 205.0   | 256.0   | 282.0   | 308.0   | 359.0    | 410.0    |
| DA-T140 | 175.0              | 263.0   | 351.0   | 439.0   | 482.0   | 526.0   | 614.0    | 702.0    |
| DA-T160 | 267.0              | 401.0   | 535.0   | 668.0   | 735.0   | 802.0   | 935.0    | 1069.0   |
| DA-T190 | 431.0              | 646.0   | 861.0   | 1077.0  | 1185.0  | 1292.0  | 1508.0   | 1723.0   |
| DA-T210 | 526.0              | 789.0   | 1052.0  | 1316.0  | 1447.0  | 1579.0  | 1842.0   | 2105.0   |
| DA-T240 | 773.0              | 1160.0  | 1546.0  | 1933.0  | 2126.0  | 2320.0  | 2706.0   | 3093.0   |
| DA-T270 | 1174.0             | 1761.0  | 2349.0  | 2936.0  | 3229.0  | 3523.0  | 34110.0  | 4697.0   |
| DA-T300 | 1526.0             | 2289.0  | 3052.0  | 3815.0  | 4197.0  | 4578.0  | 5341.0   | 6104.0   |
| DA-T350 | 2285.0             | 3427.0  | 4570.0  | 5712.0  | 6283.0  | 6854.0  | 7997.0   | 9139.0   |
| DA-T400 | 3256.0             | 4883.0  | 6511.0  | 8139.0  | 8953.0  | 9767.0  | 11394.0  | 13022.0  |
| DA-T450 | 5076.0             | 7614.0  | 10153.0 | 12591.0 | 13960.0 | 15229.0 | 17768.0  | 20306.0  |
| DA-T500 | 7162.0             | 10744.0 | 14325.0 | 17907.0 | 19697.0 | 21488.0 | 25069.0  | 28651.0  |
| DA-T550 | 9750.0             | 14625.0 | 19500.0 | 24375.0 | 26813.0 | 29251.0 | 34125.0  | 39001.0  |
| DA-T600 | 12893.0            | 19339.0 | 25786.0 | 32232.0 | 35455.0 | 38679.0 | 45125.0  | 51572.0  |
| DA-T700 | 21058.0            | 31588.0 | 42117.0 | 52646.0 | 57911.0 | 63176.0 | 73705.0  | 84234.0  |
| DA-T800 | 32089.0            | 48134.0 | 64178.0 | 80223.0 | 88246.0 | 96268.0 | 112313.0 | 128357.0 |

### Single acting actuator

| Model  | Air pressure (bar) |          |         |          |         |          |         |          |         |          |         |          |         |          |         |           | Spring Torque |  |
|--------|--------------------|----------|---------|----------|---------|----------|---------|----------|---------|----------|---------|----------|---------|----------|---------|-----------|---------------|--|
|        | Spring Qty.        | 2        |         | 3        |         | 4        |         | 5        |         | 6        |         | 7        |         | 8        |         | 90° Start | 0° End        |  |
|        |                    | 0° Start | 90° End | 0° Start | 90° End | 0° Start | 90° End | 0° Start | 90° End | 0° Start | 90° End | 0° Start | 90° End | 0° Start | 90° End |           |               |  |
| SR-T45 | 5                  | 3.0      | 1.2     |          |         |          |         |          |         |          |         |          |         |          |         | 4.6       | 2.9           |  |
|        | 6                  | 2.3      | 0.2     | 5.4      | 3.3     |          |         |          |         |          |         |          |         |          |         | 5.5       | 3.5           |  |
|        | 7                  |          |         | 4.8      | 2.3     | 7.8      | 5.3     |          |         |          |         |          |         |          |         | 6.5       | 4.1           |  |
|        | 8                  |          |         | 4.2      | 1.3     | 7.2      | 4.3     | 10.2     | 7.3     |          |         |          |         |          |         | 7.4       | 4.6           |  |
|        | 9                  |          |         |          |         | 6.6      | 3.4     | 9.6      | 6.4     | 12.6     | 9.4     |          |         |          |         | 8.3       | 5.2           |  |
|        | 10                 |          |         |          |         | 6.1      | 2.4     | 9.0      | 5.4     | 12.0     | 8.4     | 15.0     | 11.4    | 18.1     | 14.5    | 9.2       | 5.8           |  |
|        | 11                 |          |         |          |         |          |         | 8.4      | 4.4     | 11.4     | 7.4     | 14.4     | 10.4    | 17.5     | 13.5    | 10.1      | 6.4           |  |
| SR-T52 | 5                  | 3.7      | 1.6     |          |         |          |         |          |         |          |         |          |         |          |         | 6.2       | 4.2           |  |
|        | 6                  | 2.8      | 0.3     | 6.8      | 4.3     |          |         |          |         |          |         |          |         |          |         | 7.4       | 5.1           |  |
|        | 7                  |          |         | 5.9      | 3.0     | 9.9      | 7.0     | 14.0     | 11.1    |          |         |          |         |          |         | 8.6       | 5.9           |  |
|        | 8                  |          |         | 5.0      | 1.7     | 9.0      | 5.7     | 13.1     | 9.8     |          |         |          |         |          |         | 9.9       | 6.8           |  |
|        | 9                  |          |         |          |         | 8.1      | 4.4     | 12.2     | 8.5     | 16.2     | 12.5    |          |         |          |         | 11.1      | 7.6           |  |
|        | 10                 |          |         |          |         | 7.2      | 3.1     | 11.3     | 7.2     | 15.3     | 11.2    | 19.3     | 15.2    | 23.4     | 19.3    | 12.4      | 8.5           |  |
|        | 11                 |          |         |          |         |          |         | 10.4     | 5.9     | 14.4     | 9.9     | 18.4     | 13.9    | 22.5     | 18.0    | 13.6      | 9.3           |  |
| SR-T63 | 5                  | 7.0      | 3.2     |          |         |          |         |          |         |          |         |          |         |          |         | 14.8      | 10.1          |  |
|        | 6                  | 5.6      | 1.0     | 12.7     | 8.1     |          |         |          |         |          |         |          |         |          |         | 10.4      | 6.8           |  |
|        | 7                  |          |         | 11.2     | 5.9     | 18.3     | 13.0    | 26.8     | 21.9    |          |         |          |         |          |         | 12.5      | 8.2           |  |
|        | 8                  |          |         | 9.8      | 3.7     | 16.9     | 10.8    | 24.0     | 17.9    |          |         |          |         |          |         | 14.6      | 9.6           |  |
|        | 9                  |          |         |          |         | 15.4     | 8.6     | 22.5     | 15.7    | 29.6     | 22.8    |          |         |          |         | 16.7      | 10.9          |  |
|        | 10                 |          |         |          |         | 14.0     | 6.4     | 21.1     | 13.5    | 28.2     | 20.6    | 35.3     | 27.7    | 42.4     | 34.8    | 18.8      | 12.3          |  |
|        | 11                 |          |         |          |         |          |         | 19.7     | 11.3    | 26.8     | 18.4    | 33.9     | 25.5    | 41.0     | 32.6    | 20.9      | 13.7          |  |
| SR-T75 | 5                  | 9.0      | 4.9     |          |         |          |         |          |         |          |         |          |         |          |         | 22.9      | 16.4          |  |
|        | 6                  | 6.8      | 1.8     | 16.9     | 11.9    |          |         |          |         |          |         |          |         |          |         | 25.0      | 18.0          |  |
|        | 7                  |          |         | 14.7     | 8.9     | 24.8     | 19.0    | 35.4     | 29.9    |          |         |          |         |          |         | 27.1      | 20.0          |  |
|        | 8                  |          |         | 12.4     | 5.8     | 22.5     | 15.9    | 32.5     | 25.9    |          |         |          |         |          |         | 29.2      | 22.1          |  |
|        | 9                  |          |         |          |         | 20.3     | 12.9    | 30.3     | 22.9    | 40.4     | 33.0    |          |         |          |         | 31.3      | 24.1          |  |
|        | 10                 |          |         |          |         | 18.1     | 9.8     | 28.1     | 19.8    | 38.2     | 29.9    | 48.3     | 40.0    | 58.3     | 50.0    | 33.4      | 26.2          |  |
|        | 11                 |          |         |          |         |          |         | 25.9     | 16.8    | 36       | 26.9    | 46.1     | 37.0    | 56.1     | 47.0    | 35.5      | 28.3          |  |
| SR-T83 | 5                  | 14.2     | 6.6     |          |         |          |         |          |         |          |         |          |         |          |         | 34.7      | 25.3          |  |
|        | 6                  | 10.8     | 1.7     | 26.2     | 17.1    |          |         |          |         |          |         |          |         |          |         | 23.0      | 15.8          |  |
|        | 7                  |          |         | 22.9     | 12.3    | 3.8      | 27.7    | 56.2     | 46.2    |          |         |          |         |          |         | 27.6      | 19.0          |  |
|        | 8                  |          |         | 19.6     | 7.4     | 35.0     | 22.8    | 50.5     | 38.3    |          |         |          |         |          |         | 32.2      | 22.1          |  |
|        | 9                  |          |         |          |         | 31.6     | 18.0    | 47.1     | 33.5    | 62.5     | 48.9    |          |         |          |         | 36.8      | 25.3          |  |
|        | 10                 |          |         |          |         | 28.3     | 13.2    | 43.8     | 28.7    | 59.2     | 44.1    | 74.6     | 59.5    | 90.0     | 74.9    | 41.4      | 28.5          |  |
|        | 11                 |          |         |          |         |          |         | 40.5     | 23.8    | 55.9     | 39.2    | 71.3     | 54.6    | 86.7     | 70.0    | 46.0      | 31.6          |  |
| 12     |                    |          |         |          |         |          | 37.1    | 19.0     | 52.5    | 34.4     | 67.9    | 49.8     | 83.3    | 65.2     | 50.6    | 34.8      |               |  |

# Actuator Output Torque (Nm)



## Single acting actuator

| Model   | Air pressure (bar) |          |         |          |         |          |         |          |         |          |         |          |         |          |         |           | Spring Torque |     |
|---------|--------------------|----------|---------|----------|---------|----------|---------|----------|---------|----------|---------|----------|---------|----------|---------|-----------|---------------|-----|
|         | Spring Qty.        | 2        |         | 3        |         | 4        |         | 5        |         | 6        |         | 7        |         | 8        |         | 90° Start | 0° End        |     |
|         |                    | 0° Start | 90° End | 0° Start | 90° End | 0° Start | 90° End | 0° Start | 90° End | 0° Start | 90° End | 0° Start | 90° End | 0° Start | 90° End |           |               |     |
| SR-T92  | 5                  | 20       | 9       |          |         |          |         |          |         |          |         |          |         |          |         |           | 34            | 23  |
|         | 6                  | 15       | 2       | 38       | 24      |          |         |          |         |          |         |          |         |          |         |           | 41            | 28  |
|         | 7                  |          |         | 33       | 17      | 56       | 40      | 80       | 64      |          |         |          |         |          |         |           | 48            | 32  |
|         | 8                  |          |         | 28       | 10      | 51       | 33      | 74       | 55      |          |         |          |         |          |         |           | 55            | 37  |
|         | 9                  |          |         |          |         | 46       | 25      | 69       | 48      | 92       | 71      |          |         |          |         |           | 61            | 42  |
|         | 10                 |          |         |          |         | 41       | 18      | 64       | 41      | 87       | 63      | 110      | 86      | 132      | 109     |           | 68            | 46  |
|         | 11                 |          |         |          |         |          |         | 59       | 34      | 82       | 56      | 105      | 79      | 127      | 102     |           | 75            | 51  |
|         | 12                 |          |         |          |         |          |         | 54       | 26      | 77       | 49      | 100      | 72      | 122      | 95      |           | 82            | 56  |
| SR-T105 | 5                  | 32       | 14      |          |         |          |         |          |         |          |         |          |         |          |         |           | 49            | 31  |
|         | 6                  | 25       | 3       | 58       | 36      |          |         |          |         |          |         |          |         |          |         |           | 59            | 38  |
|         | 7                  |          |         | 52       | 26      | 85       | 59      | 121      | 96      |          |         |          |         |          |         |           | 68            | 44  |
|         | 8                  |          |         | 45       | 15      | 78       | 48      | 111      | 81      |          |         |          |         |          |         |           | 78            | 50  |
|         | 9                  |          |         |          |         | 71       | 38      | 104      | 71      | 137      | 104     |          |         |          |         |           | 88            | 56  |
|         | 10                 |          |         |          |         | 65       | 28      | 97       | 60      | 130      | 93      | 163      | 126     | 196      | 159     |           | 98            | 63  |
|         | 11                 |          |         |          |         |          |         | 91       | 50      | 124      | 83      | 156      | 116     | 189      | 149     |           | 108           | 69  |
|         | 12                 |          |         |          |         |          |         | 84       | 40      | 117      | 73      | 150      | 105     | 183      | 138     |           | 118           | 75  |
| SR-T125 | 5                  | 47       | 20      |          |         |          |         |          |         |          |         |          |         |          |         |           | 78            | 52  |
|         | 6                  | 36       | 4       | 87       | 55      |          |         |          |         |          |         |          |         |          |         |           | 94            | 62  |
|         | 7                  |          |         | 76       | 38      | 127      | 89      | 178      | 141     |          |         |          |         |          |         |           | 109           | 73  |
|         | 8                  |          |         | 65       | 22      | 116      | 73      | 167      | 124     |          |         |          |         |          |         |           | 125           | 83  |
|         | 9                  |          |         |          |         | 105      | 56      | 156      | 107     | 208      | 159     |          |         |          |         |           | 141           | 94  |
|         | 10                 |          |         |          |         | 94       | 40      | 145      | 91      | 197      | 143     | 248      | 194     | 299      | 245     |           | 156           | 104 |
|         | 11                 |          |         |          |         |          |         | 134      | 74      | 186      | 126     | 237      | 177     | 288      | 228     |           | 172           | 115 |
|         | 12                 |          |         |          |         |          |         | 123      | 58      | 175      | 110     | 226      | 161     | 277      | 212     |           | 188           | 125 |
| SR-T140 | 5                  | 84       | 39      |          |         |          |         |          |         |          |         |          |         |          |         |           | 129           | 85  |
|         | 6                  | 66       | 12      | 154      | 100     |          |         |          |         |          |         |          |         |          |         |           | 154           | 102 |
|         | 7                  |          |         | 136      | 73      | 224      | 161     | 308      | 247     |          |         |          |         |          |         |           | 180           | 120 |
|         | 8                  |          |         | 118      | 45      | 206      | 133     | 294      | 221     |          |         |          |         |          |         |           | 260           | 137 |
|         | 9                  |          |         |          |         | 188      | 106     | 276      | 194     | 363      | 281     |          |         |          |         |           | 232           | 154 |
|         | 10                 |          |         |          |         | 170      | 79      | 258      | 167     | 345      | 254     | 433      | 342     | 521      | 430     |           | 257           | 171 |
|         | 11                 |          |         |          |         |          |         | 240      | 140     | 327      | 227     | 415      | 315     | 503      | 403     |           | 283           | 188 |
|         | 12                 |          |         |          |         |          |         | 222      | 113     | 309      | 200     | 379      | 288     | 485      | 376     |           | 309           | 205 |
| SR-T160 | 5                  | 120      | 47      |          |         |          |         |          |         |          |         |          |         |          |         |           | 208           | 139 |
|         | 6                  | 90       | 3       | 224      | 137     |          |         |          |         |          |         |          |         |          |         |           | 250           | 168 |
|         | 7                  |          |         | 195      | 94      | 329      | 228     | 469      | 373     |          |         |          |         |          |         |           | 292           | 196 |
|         | 8                  |          |         | 165      | 50      | 299      | 184     | 432      | 317     |          |         |          |         |          |         |           | 333           | 223 |
|         | 9                  |          |         |          |         | 270      | 140     | 403      | 273     | 537      | 407     |          |         |          |         |           | 375           | 251 |
|         | 10                 |          |         |          |         | 241      | 96      | 374      | 229     | 508      | 363     | 641      | 496     | 775      | 630     |           | 417           | 279 |
|         | 11                 |          |         |          |         |          |         | 344      | 185     | 478      | 319     | 611      | 452     | 745      | 586     |           | 458           | 307 |
|         | 12                 |          |         |          |         |          |         | 315      | 141     | 449      | 275     | 582      | 408     | 716      | 542     |           | 500           | 335 |
| SR-T190 | 5                  | 220      | 105     |          |         |          |         |          |         |          |         |          |         |          |         |           | 293           | 190 |
|         | 6                  | 178      | 40      | 393      | 255     |          |         |          |         |          |         |          |         |          |         |           | 352           | 227 |
|         | 7                  |          |         | 385      | 190     | 566      | 405     | 784      | 631     |          |         |          |         |          |         |           | 410           | 265 |
|         | 8                  |          |         | 309      | 125     | 524      | 340     | 740      | 556     |          |         |          |         |          |         |           | 469           | 303 |
|         | 9                  |          |         |          |         | 482      | 275     | 698      | 491     | 913      | 706     |          |         |          |         |           | 527           | 341 |
|         | 10                 |          |         |          |         | 440      | 210     | 656      | 426     | 871      | 641     | 1087     | 857     | 1302     | 1072    |           | 586           | 379 |
|         | 11                 |          |         |          |         |          |         | 614      | 361     | 829      | 576     | 1045     | 792     | 1206     | 1007    |           | 645           | 417 |
|         | 12                 |          |         |          |         |          |         | 572      | 296     | 787      | 511     | 1003     | 727     | 218      | 942     |           | 703           | 455 |
| SR-T210 | 5                  | 237      | 126     |          |         |          |         |          |         |          |         |          |         |          |         |           | 360           | 260 |
|         | 6                  | 179      | 46      | 442      | 309     |          |         |          |         |          |         |          |         |          |         |           | 432           | 313 |
|         | 7                  |          |         | 384      | 23      | 647      | 493     | 908      | 754     |          |         |          |         |          |         |           | 503           | 365 |
|         | 8                  |          |         | 326      | 150     | 589      | 413     | 853      | 677     |          |         |          |         |          |         |           | 575           | 417 |
|         | 9                  |          |         |          |         | 531      | 333     | 795      | 597     | 1058     | 860     |          |         |          |         |           | 647           | 469 |
|         | 10                 |          |         |          |         | 473      | 253     | 737      | 517     | 1000     | 780     | 1263     | 1043    | 1526     | 1306    |           | 719           | 521 |
|         | 11                 |          |         |          |         |          |         | 679      | 437     | 942      | 700     | 1205     | 963     | 1468     | 1226    |           | 791           | 573 |
|         | 12                 |          |         |          |         |          |         | 621      | 357     | 884      | 620     | 1147     | 883     | 1410     | 1146    |           | 863           | 625 |
| SR-T240 | 5                  | 341      | 190     |          |         |          |         |          |         |          |         |          |         |          |         |           | 525           | 389 |
|         | 6                  | 255      | 73      | 642      | 460     |          |         |          |         |          |         |          |         |          |         |           | 630           | 467 |
|         | 7                  |          |         | 555      | 344     | 941      | 730     | 1349     | 1149    |          |         |          |         |          |         |           | 735           | 544 |
|         | 8                  |          |         | 469      | 227     | 855      | 613     | 1242     | 1009    |          |         |          |         |          |         |           | 840           | 622 |
|         | 9                  |          |         |          |         | 768      | 496     | 1155     | 883     | 1542     | 1270    |          |         |          |         |           | 945           | 700 |
|         | 10                 |          |         |          |         | 682      | 380     | 1069     | 767     | 1456     | 1154    | 1842     | 1540    | 2229     | 1927    |           | 1050          | 778 |
|         | 11                 |          |         |          |         |          |         | 983      | 650     | 1370     | 1037    | 1756     | 1423    | 2143     | 1810    |           | 1155          | 855 |
|         | 12                 |          |         |          |         |          |         | 896      | 533     | 1283     | 920     | 1669     | 1306    | 2056     | 1698    |           | 1260          | 933 |



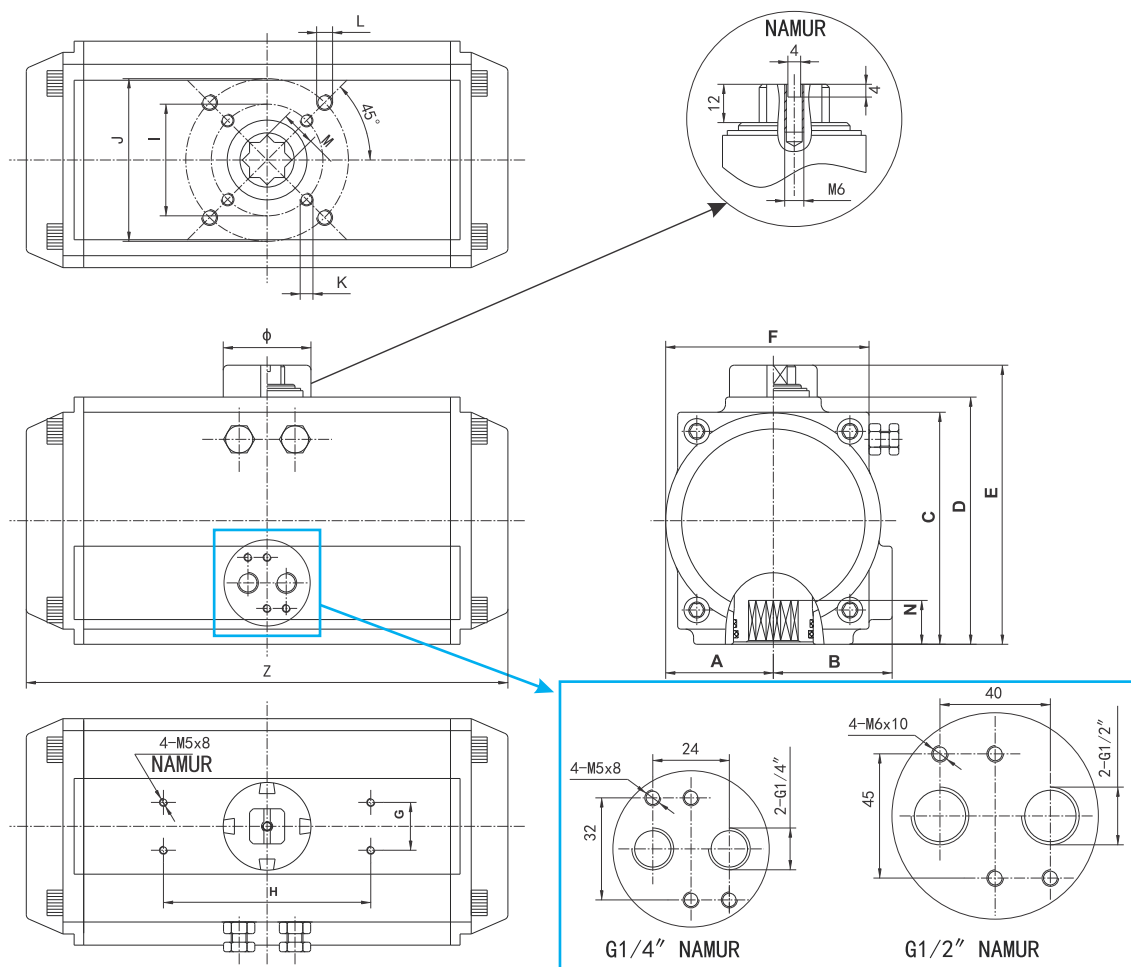
# Actuator Output Torque (Nm)



## Single acting actuator

| Model   | Air pressure (bar) |          |         |          |         |          |         |          |         |          |         |          |         |          |         |           | Spring Torque |  |
|---------|--------------------|----------|---------|----------|---------|----------|---------|----------|---------|----------|---------|----------|---------|----------|---------|-----------|---------------|--|
|         | Spring Qty.        | 2        |         | 3        |         | 4        |         | 5        |         | 6        |         | 7        |         | 8        |         | 90° Start | 0° End        |  |
|         |                    | 0° Start | 90° End | 0° Start | 90° End | 0° Start | 90° End | 0° Start | 90° End | 0° Start | 90° End | 0° Start | 90° End | 0° Start | 90° End |           |               |  |
| SR-T270 | 5                  | 585      | 346     |          |         |          |         |          |         |          |         |          |         |          |         | 745       | 530           |  |
|         | 6                  | 467      | 181     | 1054     | 768     |          |         |          |         |          |         |          |         |          |         | 894       | 636           |  |
|         | 7                  |          |         | 937      | 602     | 1525     | 1190    | 2141     | 1823    |          |         |          |         |          |         | 1043      | 472           |  |
|         | 8                  |          |         | 819      | 437     | 1407     | 1025    | 1994     | 1612    |          |         |          |         |          |         | 1192      | 848           |  |
|         | 9                  |          |         |          |         | 1289     | 859     | 1876     | 1446    | 2463     | 2033    |          |         |          |         | 1341      | 954           |  |
|         | 10                 |          |         |          |         | 1171     | 694     | 1758     | 1281    | 2345     | 1868    | 2932     | 2455    | 3519     | 3042    | 1490      | 1060          |  |
|         | 11                 |          |         |          |         |          |         | 1640     | 1115    | 2227     | 1702    | 2814     | 2289    | 3401     | 2876    | 1639      | 1166          |  |
|         | 12                 |          |         |          |         |          |         | 1523     | 950     | 2110     | 1537    | 2697     | 2124    | 3284     | 2711    | 1788      | 1272          |  |
| SR-T300 | 5                  | 715      | 347     |          |         |          |         |          |         |          |         |          |         |          |         | 1061      | 730           |  |
|         | 6                  | 553      | 112     | 1316     | 875     |          |         |          |         |          |         |          |         |          |         | 1273      | 876           |  |
|         | 7                  |          |         | 1153     | 639     | 1916     | 1402    |          |         |          |         |          |         |          |         | 1485      | 1022          |  |
|         | 8                  |          |         | 991      | 403     | 1754     | 1166    | 2517     | 1929    |          |         |          |         |          |         | 1697      | 1168          |  |
|         | 9                  |          |         |          |         | 1592     | 930     | 2355     | 1693    | 3118     | 2456    |          |         |          |         | 1909      | 1314          |  |
|         | 10                 |          |         |          |         | 1430     | 695     | 2193     | 1458    | 2956     | 2221    | 3719     | 2984    | 4482     | 3747    | 2122      | 1460          |  |
|         | 11                 |          |         |          |         |          |         | 2030     | 1222    | 2793     | 1985    | 3556     | 2748    | 4319     | 3511    | 2334      | 1606          |  |
|         | 12                 |          |         |          |         |          |         | 1868     | 986     | 2631     | 1749    | 3394     | 2512    | 4157     | 3275    | 2546      | 1752          |  |
| SR-T350 | 5                  | 982      | 393     |          |         |          |         |          |         |          |         |          |         |          |         | 1702      | 1173          |  |
|         | 6                  | 721      | 15      | 1863     | 1157    |          |         |          |         |          |         |          |         |          |         | 2043      | 1408          |  |
|         | 7                  |          |         | 1602     | 779     | 2745     | 1922    |          |         |          |         |          |         |          |         | 2383      | 1642          |  |
|         | 8                  |          |         | 1341     | 401     | 2484     | 1544    | 3626     | 2686    |          |         |          |         |          |         | 2724      | 1877          |  |
|         | 9                  |          |         |          |         | 2224     | 1165    | 3366     | 2307    | 4508     | 3449    |          |         |          |         | 3064      | 2112          |  |
|         | 10                 |          |         |          |         | 1963     | 787     | 3105     | 1929    | 4247     | 3071    | 5390     | 4214    | 6532     | 5356    | 3405      | 2346          |  |
|         | 11                 |          |         |          |         |          |         | 2804     | 1551    | 3986     | 2693    | 5129     | 3836    | 6271     | 4978    | 3745      | 2581          |  |
|         | 12                 |          |         |          |         |          |         | 2584     | 1172    | 3726     | 2314    | 4869     | 3457    | 6011     | 4599    | 4086      | 2816          |  |
| SR-T400 | 7                  | 1215     | 56      |          |         |          |         |          |         |          |         |          |         |          |         | 2880      | 1837          |  |
|         | 8                  |          |         | 255      | 1225    |          |         |          |         |          |         |          |         |          |         | 3292      | 2100          |  |
|         | 9                  |          |         | 2259     | 768     | 3887     | 2396    |          |         |          |         |          |         |          |         | 3703      | 2362          |  |
|         | 10                 |          |         | 1967     | 311     | 3595     | 1939    | 5223     | 3567    |          |         |          |         |          |         | 4115      | 2624          |  |
|         | 11                 |          |         |          |         | 3303     | 1482    | 4931     | 3110    | 6559     | 4738    |          |         |          |         | 4526      | 2887          |  |
|         | 12                 |          |         |          |         | 3012     | 1025    | 4640     | 2653    | 6268     | 4281    | 7895     | 5908    | 9523     | 7536    | 4938      | 3149          |  |
|         | 13                 |          |         |          |         |          |         | 4348     | 2195    | 5976     | 3823    | 7603     | 5450    | 9231     | 7078    | 5349      | 3412          |  |
|         | 14                 |          |         |          |         |          |         | 4057     | 1738    | 5658     | 3866    | 7312     | 4993    | 8940     | 6621    | 5761      | 3674          |  |
| 15      |                    |          |         |          |         |          | 3765    | 1281     | 5393    | 2909     | 7020    | 4536     | 8648    | 6164     | 6172    | 3937      |               |  |
| 16      |                    |          |         |          |         |          |         |          | 5101    | 2452     | 6728    | 4079     | 8356    | 5707     | 6584    | 4199      |               |  |
| SR-T450 | 4                  |          |         | 4888     | 3235    | 7497     | 5844    | 10130    | 8452    | 12715    | 11061   | 15324    | 13670   | 17932    | 16279   | 4951      | 2937          |  |
|         | 6                  |          |         | 3420     | 2227    | 6028     | 3548    | 8637     | 6157    | 11246    | 8766    | 13855    | 11375   | 16464    | 13983   | 6886      | 4406          |  |
|         | 8                  |          |         |          |         | 4560     | 1252    | 7168     | 3861    | 9777     | 6470    | 12386    | 9079    | 14995    | 11688   | 9182      | 5875          |  |
|         | 10                 |          |         |          |         |          |         | 5698     | 1566    | 8307     | 4174    | 10916    | 6783    | 13525    | 9392    | 11478     | 7345          |  |
|         | 12                 |          |         |          |         |          |         |          |         | 6838     | 1879    | 9447     | 4488    | 12056    | 7096    | 13773     | 8814          |  |
| SR-T500 | 4                  |          |         | 7536     | 5985    | 11558    | 9010    | 15580    | 13032   | 19602    | 17054   | 23624    | 21076   | 27646    | 25098   | 7078      | 4530          |  |
|         | 6                  |          |         | 5271     | 2541    | 9293     | 5471    | 13315    | 9493    | 17337    | 13515   | 21359    | 17537   | 25381    | 21559   | 10617     | 6795          |  |
|         | 8                  |          |         |          |         | 7028     | 1932    | 11050    | 5954    | 15072    | 9976    | 19094    | 13998   | 23116    | 18020   | 14156     | 9060          |  |
|         | 10                 |          |         |          |         |          |         | 8785     | 2414    | 12807    | 6436    | 16829    | 10458   | 20851    | 14480   | 17696     | 11325         |  |
|         | 12                 |          |         |          |         |          |         |          |         | 10542    | 2897    | 14564    | 6919    | 18586    | 10941   | 21235     | 13590         |  |
| SR-T600 | 4                  |          |         | 11589    | 7670    | 17774    | 13855   | 23960    | 20041   | 30145    | 26226   | 36330    | 32410   | 42516    | 38596   | 10885     | 6966          |  |
|         | 6                  |          |         | 8106     | 4008    | 14290    | 8412    | 20476    | 14598   | 26661    | 20782   | 32846    | 26967   | 39032    | 33153   | 163328    | 10449         |  |
|         | 8                  |          |         |          |         | 10807    | 2968    | 16993    | 9154    | 23178    | 15339   | 29362    | 21524   | 35548    | 27710   | 21771     | 13933         |  |
|         | 10                 |          |         |          |         |          |         | 13509    | 3711    | 18694    | 9896    | 25879    | 16081   | 32065    | 22267   | 27214     | 17416         |  |
|         | 12                 |          |         |          |         |          |         |          |         | 16212    | 4454    | 22396    | 10639   | 28582    | 16825   | 32656     | 20899         |  |
| SR-T700 | 4                  |          |         |          |         | 26662    | 20783   | 39541    | 30062   | 45219    | 39340   | 54497    | 48618   | 63775    | 57896   | 16329     | 10450         |  |
|         | 6                  |          |         |          |         | 21436    | 12618   | 30715    | 21897   | 39993    | 31175   | 49271    | 40453   | 58549    | 49731   | 24494     | 15676         |  |
|         | 8                  |          |         |          |         | 16211    | 4453    | 25490    | 13732   | 34160    | 23010   | 44046    | 32288   | 53324    | 41566   | 32659     | 20901         |  |
|         | 10                 |          |         |          |         |          |         | 20264    | 5567    | 29542    | 14845   | 38820    | 24123   | 48098    | 33401   | 40824     | 26127         |  |
|         | 12                 |          |         |          |         |          |         |          |         | 24317    | 6681    | 33595    | 15959   | 42873    | 25237   | 48988     | 31352         |  |
| SR-T800 | 4                  |          |         |          |         | 46083    | 35922   | 62120    | 51958   | 78156    | 67994   | 94192    | 84031   | 110229   | 100068  | 28224     | 18062         |  |
|         | 6                  |          |         |          |         | 37051    | 21810   | 53088    | 37846   | 69123    | 53882   | 85160    | 69919   | 101197   | 85956   | 42336     | 27049         |  |
|         | 8                  |          |         |          |         | 28020    | 7698    | 44056    | 23734   | 60092    | 39770   | 76129    | 55807   | 92166    | 74844   | 56448     | 36126         |  |
|         | 10                 |          |         |          |         |          |         | 35024    | 9622    | 51060    | 25658   | 67096    | 41695   | 83133    | 57732   | 70560     | 45158         |  |
|         | 12                 |          |         |          |         |          |         |          |         | 42028    | 11546   | 58065    | 27583   | 74102    | 43620   | 84672     | 54189         |  |

## Actuator Dimensions



### Dimensions in mm

| Model | A     | B     | C     | D     | E     | F     | G  | H   | I    | J    | K        | L        | M  | N  | Z   | φ  | Air Connection |
|-------|-------|-------|-------|-------|-------|-------|----|-----|------|------|----------|----------|----|----|-----|----|----------------|
| T52   | 30.0  | 41.5  | 65.5  | 72.0  | 92.0  | 65.0  | 30 | 80  | φ36  | φ50  | 4-M5x8   | 4-M6x10  | 11 | 14 | 147 | 40 | NAMUR G1/4"    |
| T63   | 36.0  | 47.0  | 81.0  | 87.5  | 107.5 | 72.0  | 30 | 80  | φ50  | φ70  | 4-M6x10  | 4-M8x13  | 14 | 18 | 168 | 40 | NAMUR G1/4"    |
| T75   | 42.0  | 53.0  | 94.0  | 99.5  | 119.5 | 81.0  | 30 | 80  | φ50  | φ70  | 4-M6x10  | 4-M8x13  | 14 | 18 | 184 | 40 | NAMUR G1/4"    |
| T83   | 46.0  | 57.0  | 98.5  | 108.7 | 128.5 | 92.0  | 30 | 80  | φ50  | φ70  | 4-M6x10  | 4-M8x13  | 17 | 21 | 204 | 40 | NAMUR G1/4"    |
| T92   | 50.0  | 58.5  | 111.0 | 116.5 | 136.5 | 98.0  | 30 | 80  | φ50  | φ70  | 4-M6x10  | 4-M8x13  | 17 | 21 | 262 | 40 | NAMUR G1/4"    |
| T105  | 57.5  | 64.0  | 122.5 | 133.0 | 153.0 | 109.5 | 30 | 80  | φ70  | φ102 | 4-M8x13  | 4-M10x16 | 22 | 26 | 268 | 40 | NAMUR G1/4"    |
| T125  | 67.5  | 74.5  | 145.5 | 155.0 | 185.0 | 127.5 | 30 | 130 | φ70  | φ102 | 4-M8x13  | 4-M10x16 | 22 | 26 | 301 | 55 | NAMUR G1/4"    |
| T140  | 75.0  | 77.0  | 161.0 | 172.0 | 202.0 | 137.5 | 30 | 130 | φ102 | φ125 | 4-M10x16 | 4-M12x20 | 27 | 31 | 390 | 55 | NAMUR G1/4"    |
| T160  | 87.0  | 87.0  | 184.0 | 197.0 | 227.0 | 158.0 | 30 | 130 | φ102 | φ125 | 4-M10x16 | 4-M12x20 | 27 | 31 | 458 | 55 | NAMUR G1/4"    |
| T190  | 103.0 | 103.0 | 216.0 | 230.0 | 260.0 | 189.0 | 30 | 130 | -    | φ140 | -        | 4-M16x25 | 36 | 50 | 525 | 80 | NAMUR G1/4"    |
| T210  | 113.0 | 113.0 | 235.5 | 255.0 | 255.0 | 210.0 | 30 | 130 | -    | φ140 | -        | 4-M16x25 | 36 | 50 | 532 | 80 | NAMUR G1/4"    |
| T240  | 130.0 | 130.0 | 264.5 | 290.0 | 290.0 | 245.0 | 30 | 130 | -    | φ165 | -        | 4-M20x25 | 46 | 60 | 602 | 80 | NAMUR G1/4"    |
| T270  | 147.0 | 147.0 | 299.0 | 330.0 | 330.0 | 273.0 | 30 | 130 | -    | φ165 | -        | 4-M20x25 | 46 | 60 | 722 | 80 | NAMUR G1/2"    |
| T300  | 162.0 | 162.0 | 330.0 | 354.0 | 354.0 | 312.0 | 30 | 130 | -    | φ165 | -        | 4-M20x25 | 46 | 60 | 820 | 80 | NAMUR G1/2"    |
| T350  | 190.0 | 190.0 | 383.0 | 410.0 | 440.0 | 362.0 | 30 | 130 | -    | φ165 | -        | 4-M20x25 | 46 | 60 | 900 | 80 | NAMUR G1/2"    |
| T400  | 260.0 | 260.0 | 441.0 | 466.0 | 496.0 | 450.0 | 30 | 130 | φ165 | φ254 | 4-M20x25 | 4-M16x25 | 46 | 60 | 940 | 80 | NAMUR G1/2"    |

## Additional Technical Data

| Model                  | T52  | T63  | T75  | T83  | T92  | T105 | T125 | T140 | T160 | T190 | T210 | T240 | T270 | T300 | T350 | T400 |
|------------------------|------|------|------|------|------|------|------|------|------|------|------|------|------|------|------|------|
| Air volume opening (L) | 0.11 | 0.2  | 0.29 | 0.41 | 0.62 | 0.94 | 1.47 | 2.43 | 3.65 | 5.9  | 7.4  | 10.7 | 16.9 | 23.8 | 35.1 | 52.6 |
| Air volume closing (L) | 0.14 | 0.23 | 0.38 | 0.55 | 0.91 | 1.18 | 1.85 | 3.2  | 5.03 | 7.9  | 9.7  | 14.3 | 22.5 | 29.7 | 46.3 | 36   |
| Weight DA (kg)         | 1.4  | 2.1  | 2.7  | 3.2  | 4.6  | 6.8  | 8.9  | 13.3 | 20.2 | 31.3 | 46.8 | 67.3 | 97   | 110  | 186  | 289  |
| Weight SR (kg)         | 1.5  | 2.3  | 2.9  | 3.6  | 5.3  | 8    | 10.1 | 15.6 | 24   | 35.3 | 54.8 | 80.2 | 118  | 130  | 234  | 360  |

## Wide range of accessories

### Limit switches

- Mechanical, proximity types
- IS, FP, WP, SIL
- Aluminium, SS, Resin enclosures

### Air filter regulator (SS, Aluminium)

### Solenoid valves

- 3/2 way, 4/2 way, 5/2 way
- Aluminium, Brass, SS body
- IS, FP, WP, SIL
- Auto reset, manual reset

### Cable glands

### Junction box

### Manual override

### Volume tank with accessories

### Fire safe enclosure



### Positioner

### Position transmitter

### Volume booster

### Pilot operated valve

### Quick exhaust valve

### Flow control valve

### Air lock relay

### Non return valve

### Pressure relief valve

### Fusible plug

### Bug screen, silencer

### Local control panel

### Tubing and fittings

## Valve automation for quarter turn applications

Microfinish has proven expertise in valve automation technology and capabilities to offer complete systems. Our wide range of valves, actuators, controls, and accessories enables us to be a single source for integrated automated valve systems that include:

- Pneumatic, electric, hydraulic, and electro hydraulic actuated valves and systems
- Gas, and gas over oil automation systems
- On-off remotely operated valves with automation systems
- Emergency shutdown(ESD) valves with automation systems
- Vertical actuators for special applications
- Fire proof enclosures for actuators and accessories

## GLOBAL SALES OFFICES

| BRANCHES    | TELEPHONE NUMBERS                         | E-MAIL                              |
|-------------|---|-------------------------------------|
| BARODA      | +91 265 2987701, +91 9574001348           | salesbaroda@microfinishgroup.com    |
| BENGALURU   | +91 80 23322999, 23322900                 | salesbangalore@microfinishgroup.com |
| CHENNAI     | +91 44 45576723, +91 7871990001           | saleschennai@microfinishgroup.com   |
| DELHI       | +91 120 2510145, 4258700, +91 7065002286  | salesdelhi@microfinishgroup.com     |
| HYDERABAD   | +91 40 40273832, +91 7997102345           | saleshyd@microfinishgroup.com       |
| HUBBALLI    | +91 836 2212414, 2210612                  | sales@microfinishgroup.com          |
| INDORE      | +91 9329306090                            | salesindore@microfinishgroup.com    |
| KANPUR      | +91 9305509600                            | saleskanpur@microfinishgroup.com    |
| KOLKATA     | +91 33 24292085, +91 7890018820           | saleskolkata@microfinishgroup.com   |
| MUMBAI      | +91 22 25008254, 25006862, +91 9594901103 | salesbom@microfinishgroup.com       |
| PUNE        | +91 20 25448989, 25468989                 | salespune@microfinishgroup.com      |
| USA-HOUSTON | +1 281-885-4250                           | sales@microfinishvalvesinc.com      |

### REPRESENTATIVES IN

Bangladesh, Canada, Chile, Ecuador, Kuwait, Mexico, Oman, Peru, Qatar, Saudi Arabia, Taiwan, and UAE

### WORKS

Itigatti, Hubballi-Dharwad Bypass Road  
Dharwad - 580 114, Karnataka, India  
Phone: +91 836 2310015, 2310016

**MICROFINISH VALVES PVT. LTD.** 

B161-162, Industrial Estate, Gokul Road, Hubballi-580 030, Karnataka, India.

Phone : +91-836-2212404, 2210611 Fax : +91-836-2331438

E-mail: sales@microfinishgroup.com Website: www.microfinishgroup.com